



Quality, Honesty, Service and Innovation



OH **-SERIES**

LED HIGH BAY LIGHT

UP TO **170LM/W**

850W REPLACEMENT

● POWER: 20W-240W

**EXPERTS WITH
PROFESSIONAL SOLUTION**

WWW.AOKLEDLIGHT.COM

SPECIFICATIONS & FEATURE

• oH series is designed for Indoor and Industrial lighting, a superior high output, high efficiency LED High Bay light, featuring a unique optical design that virtually eliminates glare with minimal impact on performance. It is available in a variety of distributions for lighting applications such as gyms, industrial, multi-purpose rooms in schools, churches and retails etc.

CONSTRUCTION

- Housing: Die cast aluminum
- Light engine is thermally isolated from driver components
- UV stabilized polyester powder paint finish
- Installation: Fixture hook come as standard, pendant mount from 3/4" threaded conduit optional
- Symmetrical for easy one-for-one replacement of existing high bays
- Motion sensor and Wireless Control optional

FINISH

- Rugged, weather-tight design and 3G Vibration ratings ensure durability even in harsh environments

WIRELESS CONTROL

- Occupancy sensor option
- ZIGBEE Wireless control system option

UNIFIED GLARE RATING

• Glare has always been a concern with LED products and it has got increasingly more attention with higher output fixtures. The standard low glare shield block lights outside of the main beam, so from other viewing angles the fixture virtually disappears. The low glare shields were also design to have minimum impact on the total light output. UGR rate <19

LED

- LPW (lumens/watt): up to 150lm/w and 165lm/w optional
- 3000K, 4000K, 5000K, 5700K, 6500K CCT
- Minimum CRI of 70, 80, and 90 optional

OPTICAL / ELECTRICAL

- Precision engineered individual lenses made of optical grade Mitsubishi polycarbonate for maximum light intensity.
- Three distributions to maximize performance: 60°, 90°, 120°
- -40 °C ~50 °C operating temp range
- 100-277V operation 50/60HZ standard, 200-480V 50/60HZ optional
- 1-10V dimming driver standard, DALI, ZIGBEE dimming optional

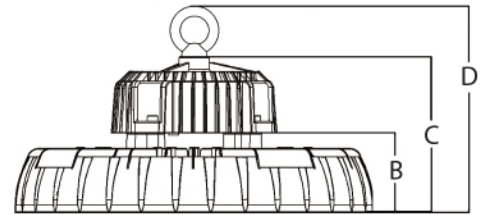
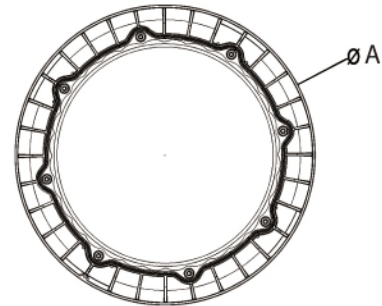
up to 170lm/w

OH SERIES



SMART LIGHTING CONTROL SYSTEM

FIXTURE DIMENSIONS



A	B	C	D
Dimensions of 60W and 100W models			
24.8cm/9.8"	7.1cm/2.8"	13.8cm/5.4"	18.2cm/7.2"
Dimensions of 150W model			
31.9cm/12.6"	7.1cm/2.8"	13.8cm/5.4"	18.3cm/7.2"
Dimensions of 200W and 240W models			
40.0cm/15.8"	7.1cm/2.8"	14.1cm/5.5"	20.2cm/7.5"

CERTIFICATIONS/LISTINGS



ORDERING INFORMATION

AOK								
WATTS	VOLTAGE	LED CHIPS	TYPE OF SENSOR	CCT&CRI	DISTRIBUTION	MOUNT	OPTIONS	
60WoH	NV=100-277V	L3=LUMILEDS 3030	00=Without Sensor	3070=3000K 70CRI	60D=60deg	Eye bolt	Black Ring	
100WoH	HV=347/480V	L5=LUMILEDS 5050	SN=Motion sensor	4070=4000K 70CRI	90D=90deg	Yoke Mount	Orange Ring	
150WoH		O5=OSRAM 5050	PH=Photocell	5070=5000K 70CRI	120D=120deg	Chain Mount	10% Up Light	
200WoH			DV=Dimmable	5770=5700K 70CRI			Light Shield	
240WoH				3080=3000K 80CRI				
				4080=4000K 80CRI				
				5080=5000K 80CRI				
				5780=5700K 80CRI				

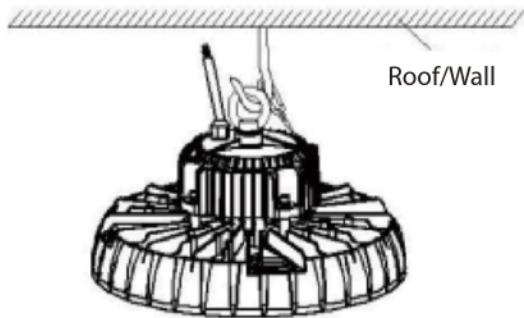


CONSTRUCTION FEATURES

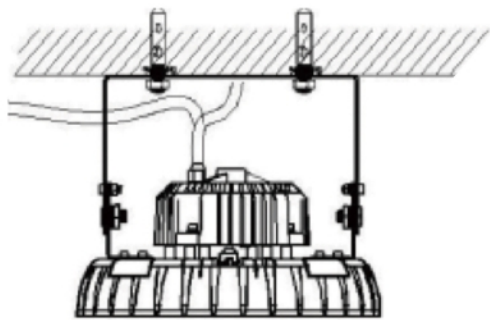
1. Stainless Eye bolt
2. Waterproof connector easy to replace driver
3. Top level performance light source system efficacy up to 165lm/w
4. Gasket ring
5. Top level performance 1-10V dimmable driver
6. Die casting unibody aluminum fixture housing in supreme heat dissipation ability
7. Optical grade polycarbonate lens 60°/90°/120°optional



MULTIPLE APPLICATIONS



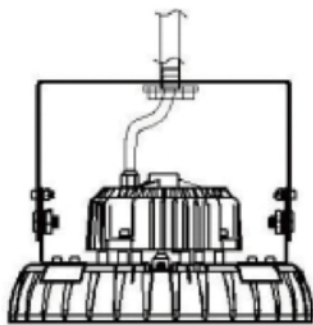
Chain Mount



Yoke Mount Application



Tempered glass len



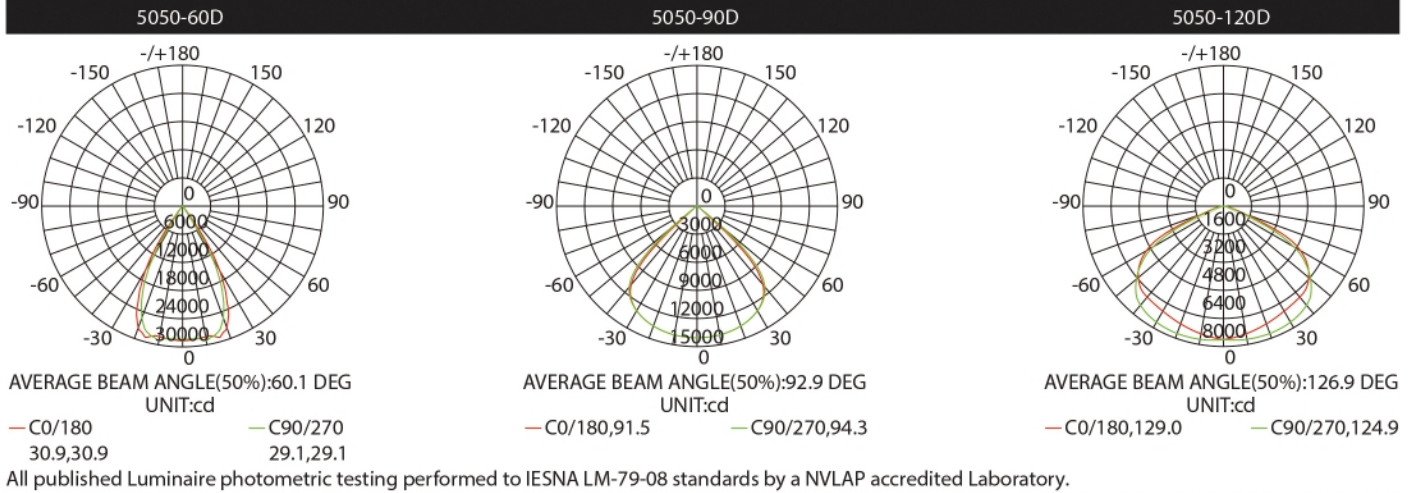
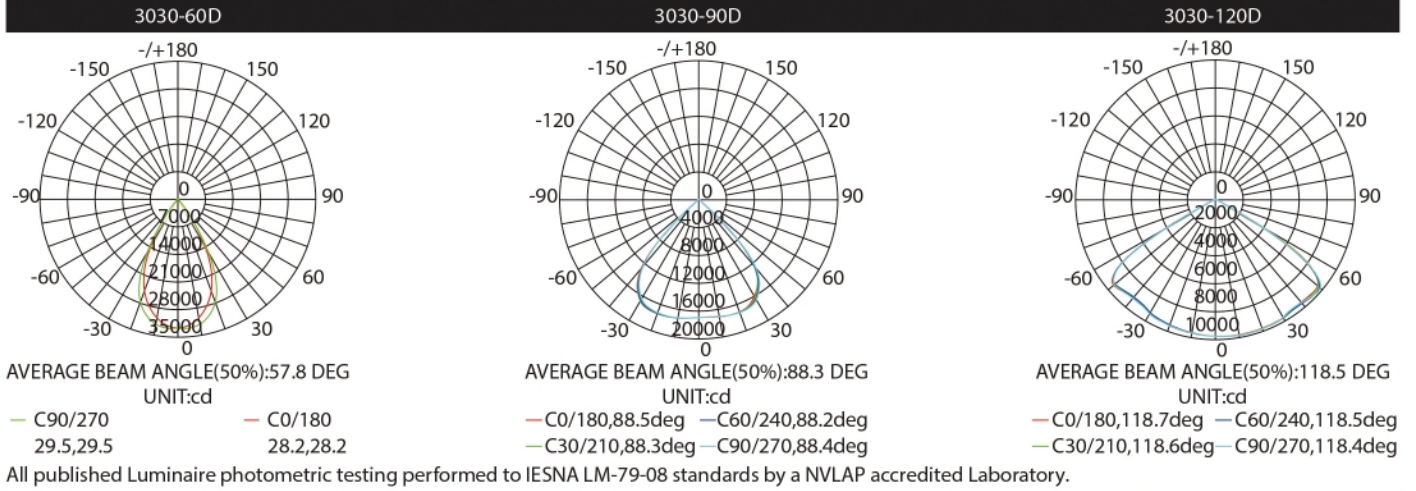
Rod Mount Application



Frosted len used as low bay



PHOTOMETRY



TECHNICAL SPECIFICATIONS @5000K

MODEL	WATTS	Replace MHL	LUMEN OUTPUT / OPTICS	IP & IK	NW	PACKING DIMENSION
60WoH	60	150W-150LPW 200W-170LPW	9000lm / 60° 9240lm / 90° 9060lm / 120° 10440lm / 60° 10682lm / 90° 10059lm / 120°	IP40&IK08	6.4lbs (2.9kgs)	31*31*21cm 12.2*12.2*8.2"
100WoH	100	300W-150LPW 350W-170LPW	15000lm / 60° 15100lm / 90° 15200lm / 120° 16724lm / 60° 16672lm / 90° 15788lm / 120°	IP65&IK08	6.4lbs (2.9kgs)	31*31*21cm 12.2*12.2*8.2"
150WoH	150	400W-150LPW 500W-170LPW	22500lm / 60° 22950lm / 90° 22650lm / 120° 25851lm / 60° 25738lm / 90° 24881lm / 120°	IP65&IK08	10lbs (4.6kgs)	38*38*22cm 15*15*8.7"
200WoH	200	600W-150LPW 750W-170LPW	28200lm / 60° 30600lm / 90° 30000lm / 120° 33982lm / 60° 34529lm / 90° 33159lm / 120°	IP65&IK08	13.7lbs (6.2kgs)	47*47*23cm 18.5*18.5*9"
240WoH	240	750W-150LPW 850W-170LPW	36000lm / 60° 36720lm / 90° 336240lm / 120° 39802lm / 60° 40303lm / 90° 39127lm / 120°	IP65&IK08	13.7lbs (6.2kgs)	47*47*23cm 18.5*18.5*9"